

MOON chair family



QUALITY STANDARD

- LST EN 16139-2013
- LST EN 16139-2013/AC:2013

TECHNICAL INFORMATION

Types

- Task, visitor & conference and high chairs.

Seat and back

- Frame made of plywood;
- Foam made of cut foam (density H5050);
- Upholstered with fabric or leather;
- Covered with natural wood veneer or laminated veneer.

Mechanism

- Tilting mechanism lockable in working position;
- Knob for tension adjustment.

Gas lift

- Chromed or black colour;
- 130 mm run range;
- Pneumatic regulation of the height.

Bases

- Five-star polished aluminium or black plastic with fiberglass base;
- External Ø 640 mm;
- Sled chromed or powder-coated steel frame, Ø 11 mm;
- 4-leg chromed steel frame, Ø 18 mm;
- 4-leg chromed steel frame with integrated armrests with plastic finish, Ø 18 mm;
- 4-leg chromed steel frame, Ø 16 mm;

Castors

- Rubber free wheel castors for hard floor, Ø65 mm;

- PA (polyamide) free wheel castors for soft floor, Ø65 mm.

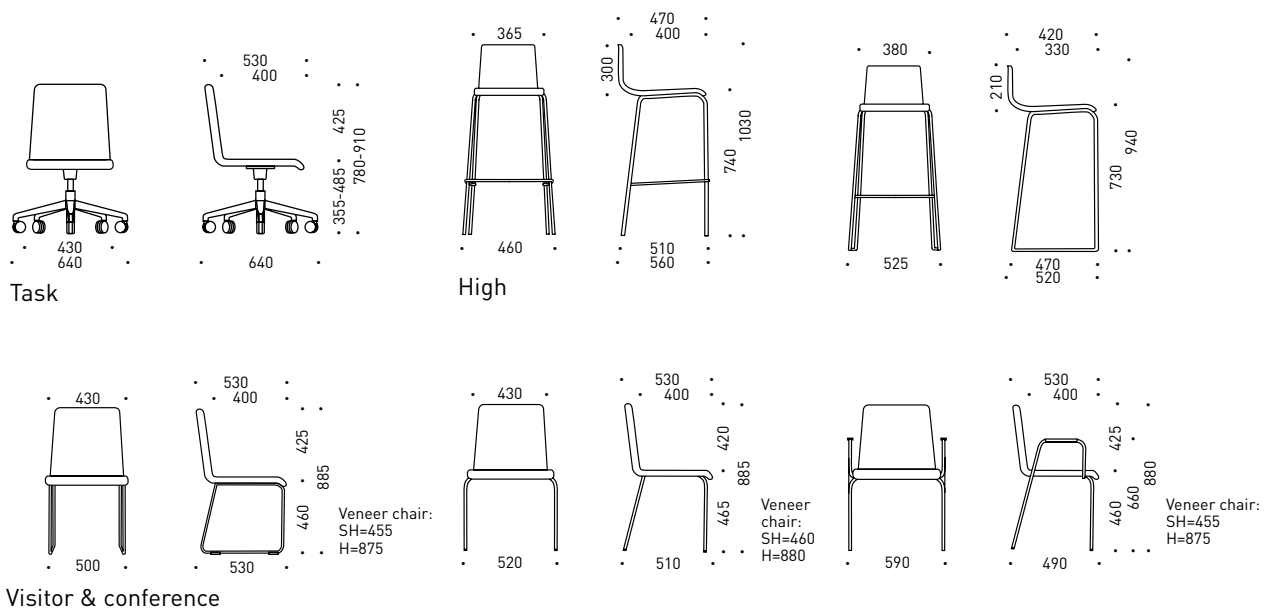
MATERIALS

- Fabric: BERTA, BONDAI, ERA, XTREME PLUS, VELITO, SYNERGY, STEP/STEP Melange;
- Genuine leather: DNN;
- Leather look: RNN;
- Veneer: Z1 (beech), Z2 (oak), Z3 (white matt beech laminated), Z4 (beech stained black);
- Metal: A (black), E (white).

GUARANTEE

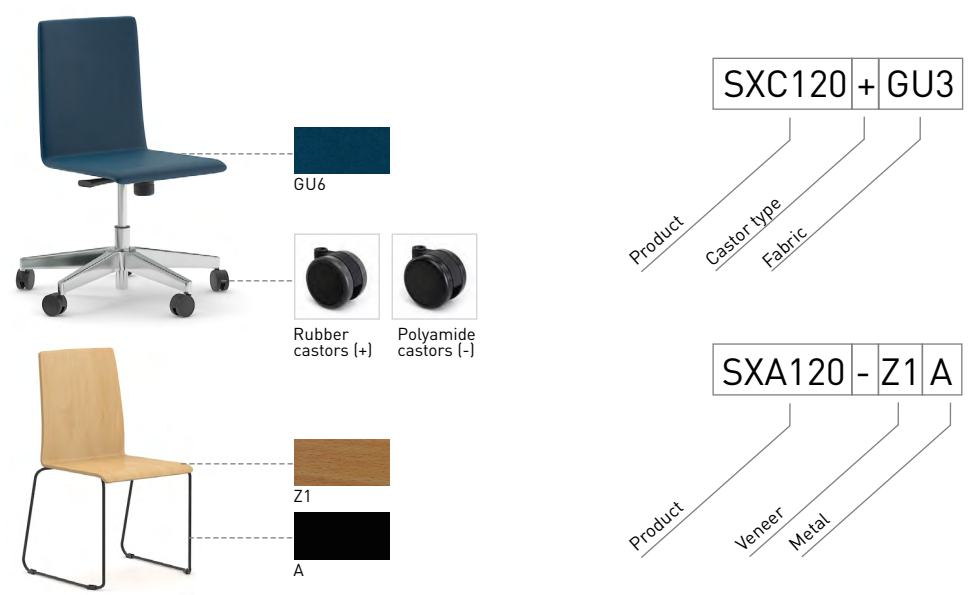
- 5 years

RANGE



ORDERING EXAMPLE

Code structure



Optional (for conference chairs)

